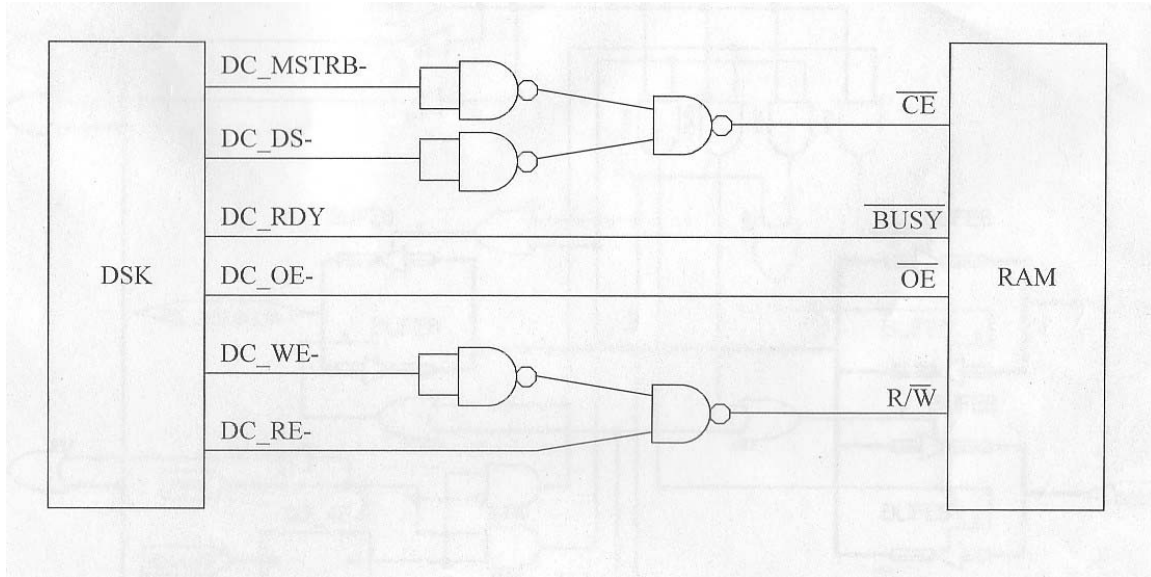


Meager Notes on DSK Daughter Card Interface

Fred DePiero / Kurtis Kredo

The daughter card interface of the DSK development board may be used to establish a memory mapped interface. The 'RAM' in the following figure may be replaced with another I/O device.



On the DSK side, this style of I/O is 'memory mapped' involving the External Memory Interface (EMI). The EMI establishes the relationship between external daughter card addresses and a program's address space. See DSK documentation as well as the 'ramtest' project provided within TI's Code Composer (extram.h & extram.c).